



B I O - P H A R M

# Clean-In-Place (CIP) Systems

*A Custom CIP Solution at a Cost-Effective Price*

**Sani-Matic CIP Systems** are engineered to your specific plant application and utility requirements for effective and efficient cleaning of process equipment. Proper CIP design and sizing ensures sufficient flow and appropriate pressure to thoroughly remove residue and rinse effectively while saving cycle time, reducing operating costs, and promoting worker safety.

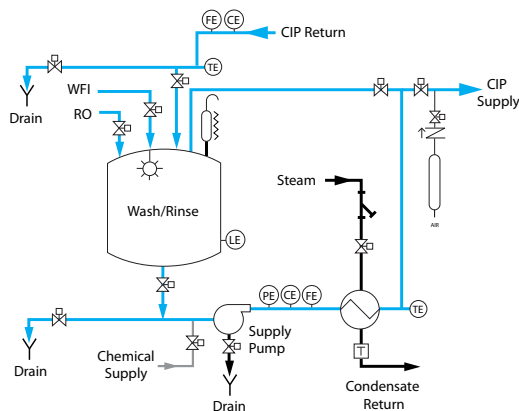
## Why Choose a Sani-Matic CIP System?

- Engineered for each unique plant and application requirement
- Programming provides integration of CIP functions with existing control systems
- Construction by our Wisconsin craftsmen to meet ASME-BPE
- Control panels built in our UL authorized panel shop (#E115505)
- Complete documentation to comply with regulatory and validation requirements
- Data acquisition and printout to collect and report data
- Full technical support during and after installation

## One-Tank

### Single-Use

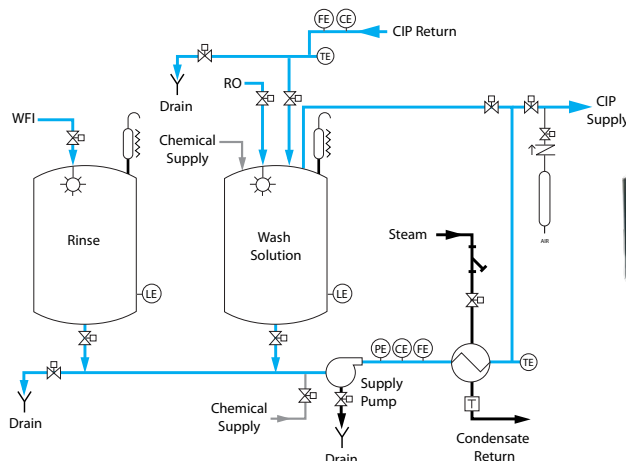
- Single-use application source of cleaning solution and rinse water
- Lower capital investment
- Portable or stationary design
- Once-through or recirculated
- Lower space requirement



## Multi-Tank

### Wash and Rinse

- Single-use application source of cleaning solution and rinse water
- Portable or stationary design
- Once-through or recirculated
- Used where water utilities are limited
- Decreases cycle time by filling rinse tank during wash step



**SANI-MATIC**

P:800.356.3300 F:608.222.5348 sanimatic.com 1915 S. Stoughton Rd., Madison, WI 53716



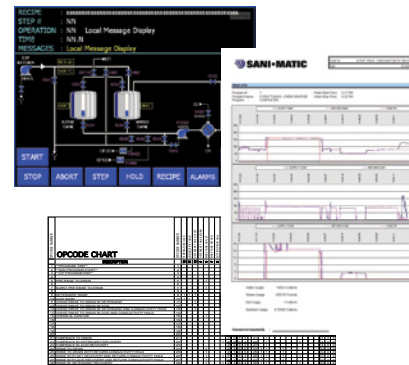


B I O - P H A R M

## Controls

Sani-Matic has in-house programmers and a UL panel shop to design, manufacture, pre-test, startup and support all types of control systems for cleaning needs. Because the team specializes in cleaning applications, Sani-Matic has developed expertise and efficiencies that have advantages over other fabricators or process integrators. Sani-Matic has designed, manufactured and supported thousands of CIP systems and other cleaning related systems.

Understanding the unique aspects of an effective cleaning program, Sani-Matic developed a flexible and easy-to-understand OP-Code Recipe Editor that allows the customer to manipulate the system hardware to optimize their cleaning programs. This can result in shorter cycle times, lower water and chemical usage, more precise control of setpoints, and defined alarms that reduce troubleshooting time.



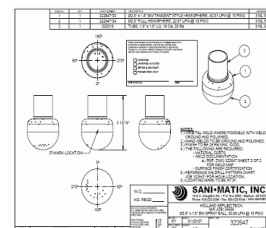
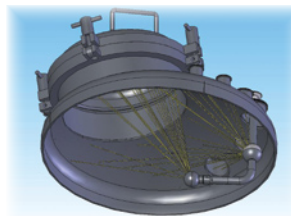
## Chemical Skids

- Eliminates chemical drum handling
- Utility source for all CIP skids
- Integrated into CIP system controls
- Can be designed as a bulk distribution system or with multiple chemical pumps for targeted delivery



## Spray Balls

- Custom engineered in 3D
- Precision drilled on CNC machine
- Pass Riboflavin testing first time
- Documented for future replacement without revalidating



## Documentation

- Operation and maintenance manuals
- Recommended spare parts list
- Instrument lists
- Instrumentation calibration procedures
- Performance data
- Material certificates
- Weld qualification and inspection records
- Inspection test results, reports and certificates
- ASME data
- Component catalog cut sheets
- As built assembly drawings
- As built process and instrumentation diagrams
- As built electrical drawings
- Annotated PLC ladder diagrams

### OPTIONAL

- (FRS/FDS) Functional Design Specifications
- Control System Design Specification (HRS and SRS)
- (FAT) Factory Acceptance Test report
- (SAT) Site Acceptance Test document
- IQ/OQ installation and operation qualification
- Traceability matrix
- ISA Data Sheet
- Cleaning and passivation report
- Weld video record (Boroscope)

**SANI-MATIC**

